

RAS Series

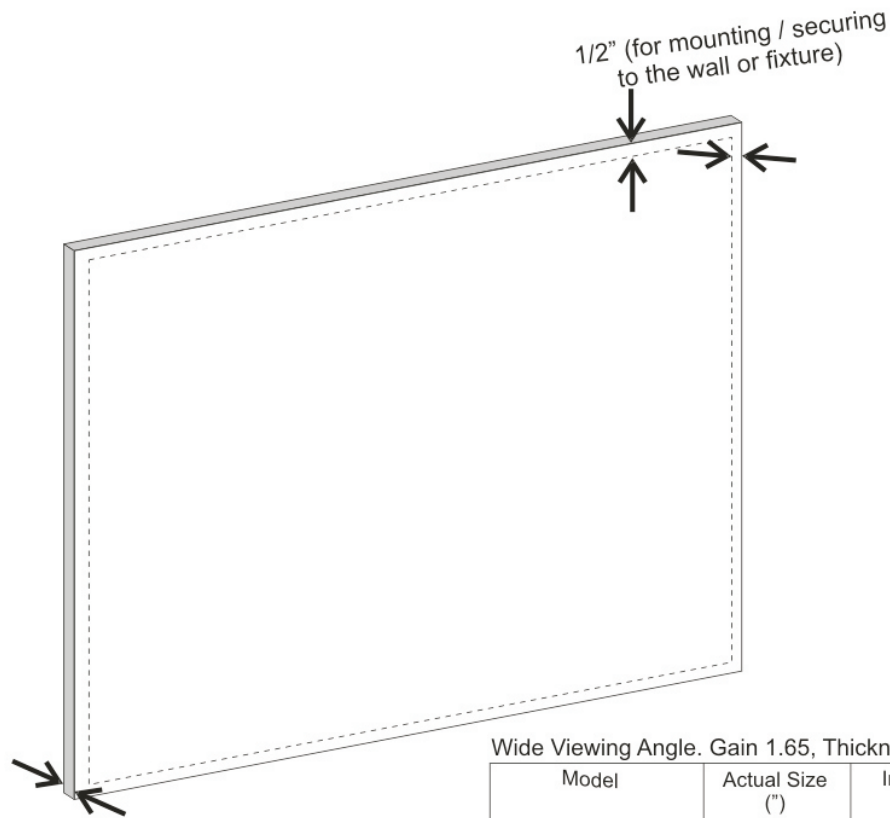
Tender / Bid specifications :

Screen Size:140x104cm to 246x185cm

Specifications for Rear Acrylic Screen:

- Screen Size: 140cm x 104cm to 246cm x 185cm
55" x 41" to 97" x 73"
- Screen Gain: 1.65
- Viewing Angle: + / -65 degrees (130 degrees viewing cone)
- Screen Materials: Rigid and Translucent Rear Acrylic Screen
Flame Retardant and fungus resistant
- Construction & Design: High Resolution capability up to 1600 x 1200 pixels
Diffusion Acrylic screen designed and engineered maximize wide viewing angle and high contrast
Auto-Gear Mechanism for precise and effective
Washable and Easy maintenance
- Installation: Each screen come with additional of ½ inch on each for mounting purposes

Dimension of RAS Series Screen



Thickness : 3mm or 5mm
(Tolerance +/- 0.2mm)

Wide Viewing Angle. Gain 1.65, Thickness 5mm

Model	Actual Size (")	Image Size (")	Image Size Diagonal (")
RAS-1410WA	55 x 41	54 x 40	67
RAS-1511WA	58 x 44	57 x 43	72
RAS-1713WA	68 x 51	67 x 50	84
RAS-1814WA	73 x 55	72 x 54	90
RAS-2015WA	79 x 59	78 x 58	100
RAS-2418WA	96 x 72	95 x 71	120
RAS-2821WA	110 x 83	109 x 82	135

High Gain. Gain 8, Thickness 3mm

Model	Actual Size (")	Image Size (")	Image Size Diagonal (")
RAS-1007HG	39 x 30	38 x 29	50
RAS-1310HG	52 x 39	51 x 38	65
RAS-1511HG	60 x 45	59 x 44	75
RAS-2015HG	80 x 60	79 x 59	95

High Contrast, Gain 2.9, Thickness 3mm

Model	Actual Size (")	Image Size (")	Image Size Diagonal (")
RAS-1007HC	39 x 30	38 x 29	50
RAS-1310HC	52 x 39	51 x 38	65
RAS-1511HC	60 x 45	59 x 44	75
RAS-2015HC	80 x 60	79 x 59	95