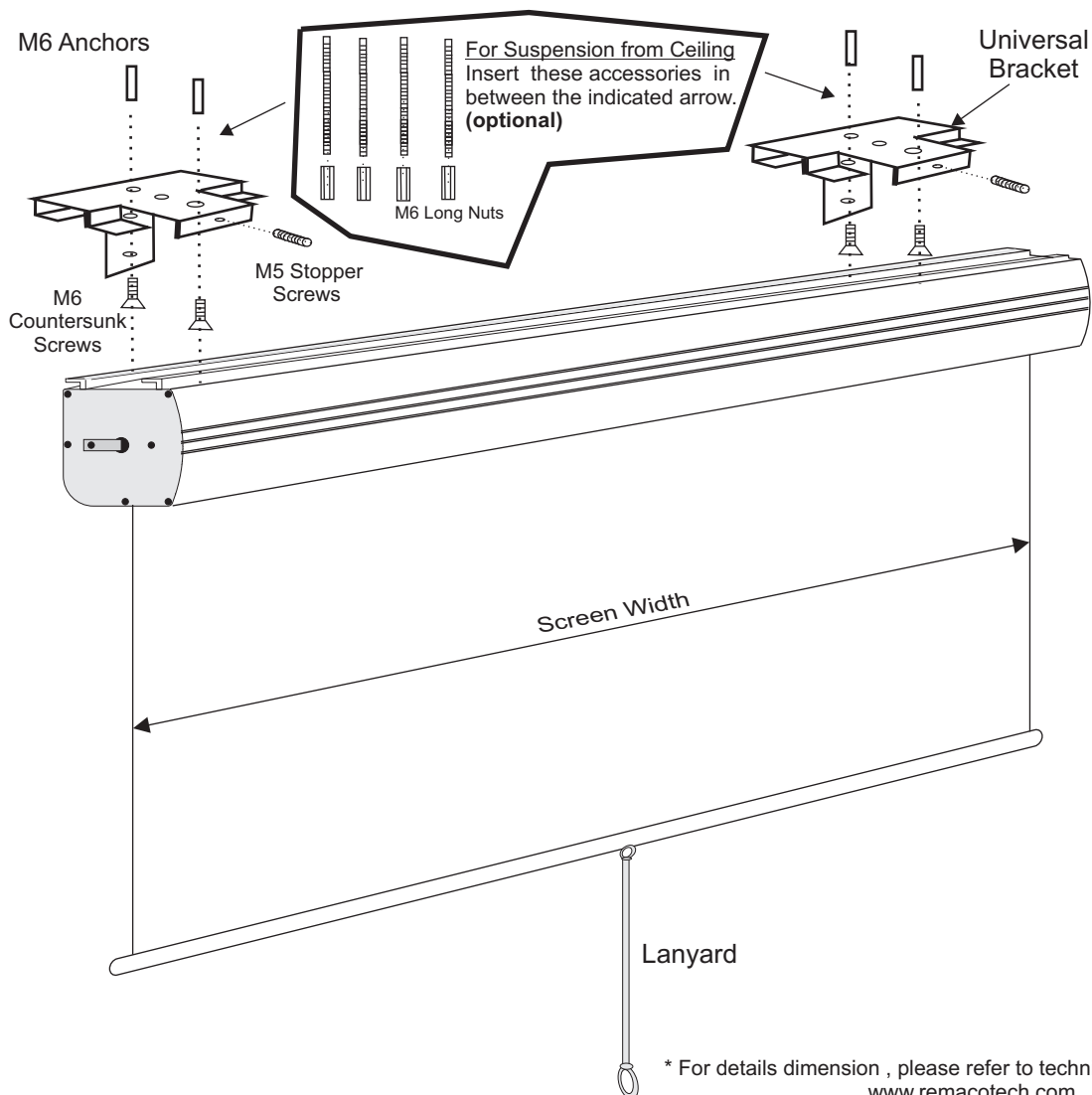
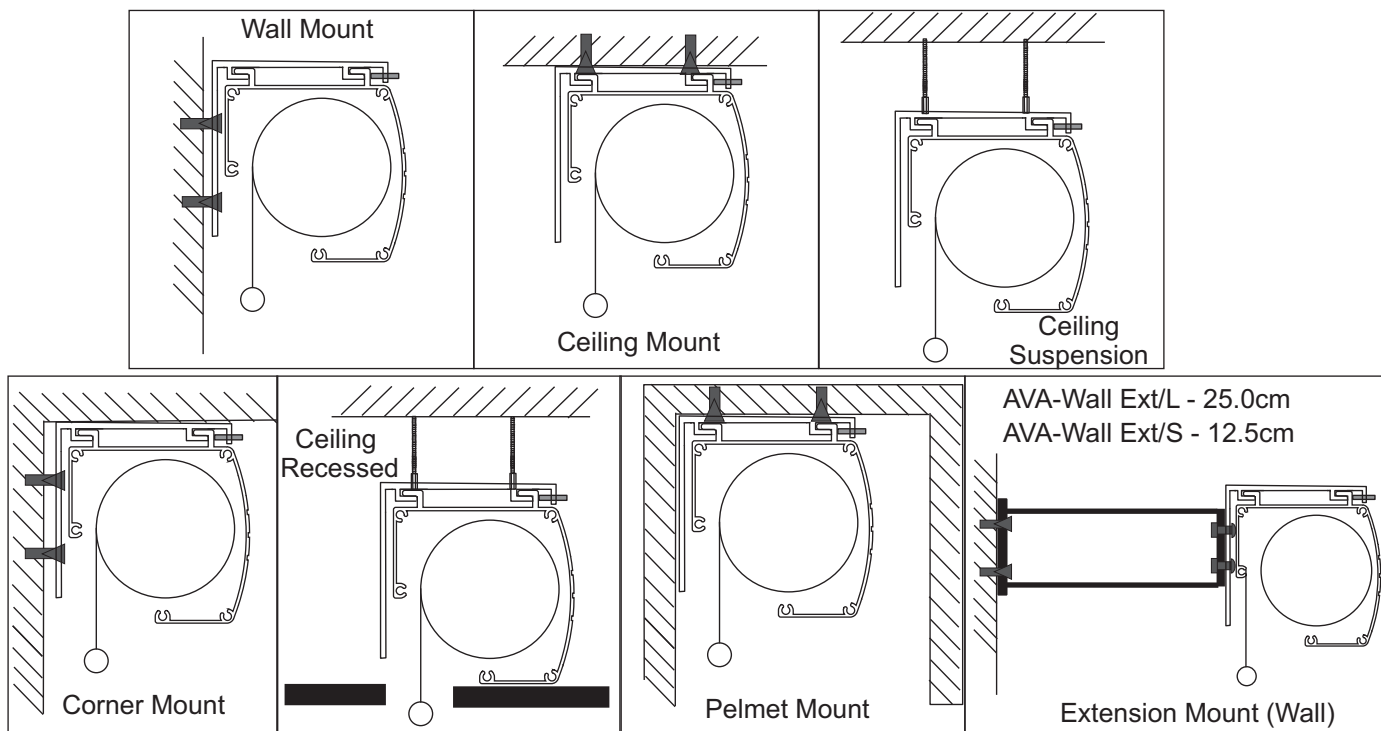


Installation Guide (For SAS-1515 to SAS-2424)

Universal Bracket can be used for any type of installation as shown below.

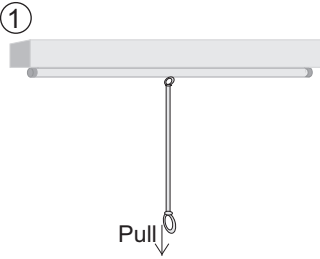
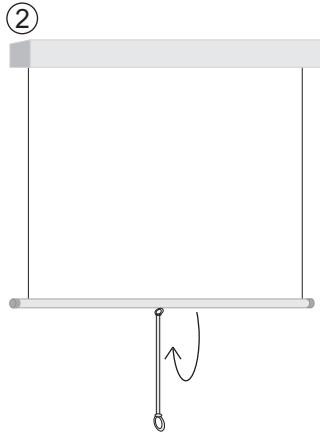
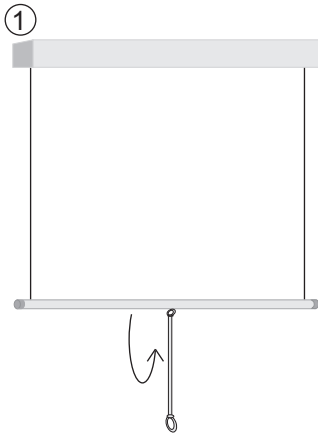
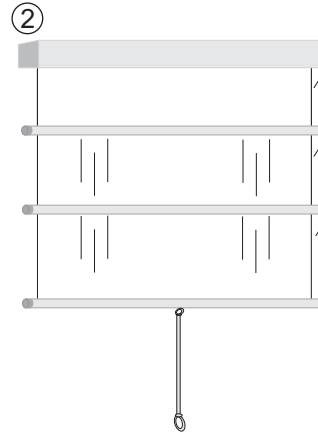


* For details dimension , please refer to technical specifications at www.remacotech.com

Important Notes:

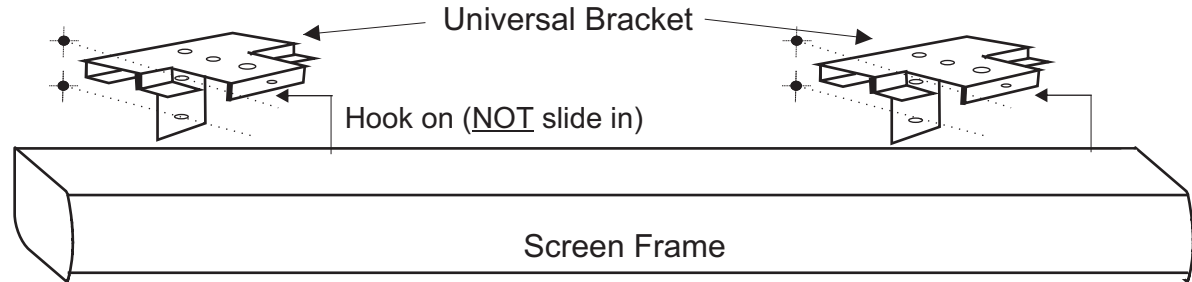
All screens are thoroughly inspected and fully tested operational in factory.
 We accept no liability whatsoever for any losses due to improper wiring, installation, operation, or any unauthorized alternation at the point of installation.
 All trademarks contained in this installation guide are the property of their respective owners.

Operation

To Use:		To Keep:	
 <p>① Pull down the screen with lanyard or hook.</p>	 <p>② Use hand to set at desired position.</p>	 <p>① Pull down screen slightly to release.</p>	 <p>② Screen move up slowly and smoothly like a motorized screen.</p>

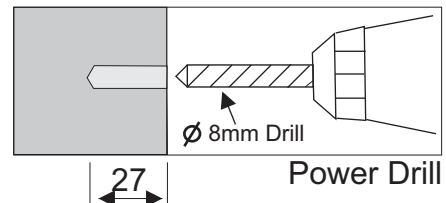
Mounting

STEP 1

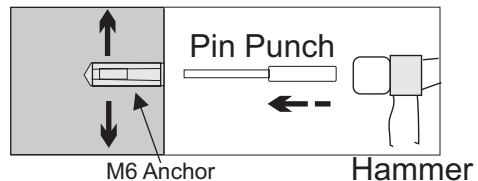


A) Mark the bracket position with the help of universal bracket.

STEP 2



Power Drill
 Ø 8mm Drill
 27



M6 Anchor
 Pin Punch
 Hammer

B) Drill Dia.8mm Holes to a depth 27mm.
 (Note: Do not drill too deep)

C) Insert M6 Anchor into the hole.
 D) Use pin punch to expand the anchor.

End