

PLT Series...

Remaco Projector Lift PLT-412 is designed with the ease of installation.

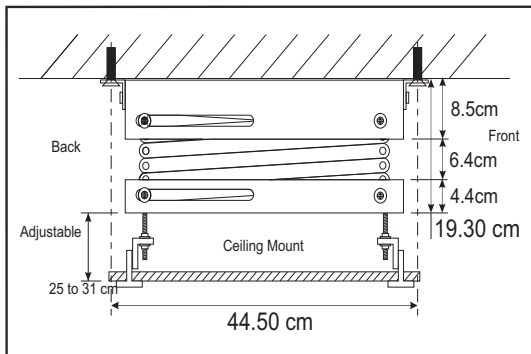
Weighing at only 20.0kg, it can be installed without disturbing the ceiling framework with loading weight up to 12kg.

This Remaco projector lift is designed to accommodate. Comes with an additional universal spider bracket to install under PLT-412, One can easily fit any model of projector to the spider bracket.

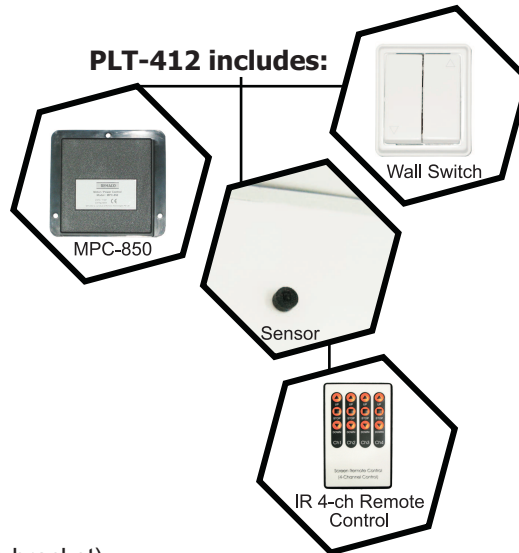
Fast and hassle free!



- ✚ Ease of installation
- ✚ Universal mounting bracket provided for all types mounting
- ✚ Maximum Drop height: 120cm



PLT-412 includes:



Specifications:

Dimensions:	50.5cm x 50.5cm
Weight:	20.0kg (Inclusive of the bracket)
Maximum Load:	12.0kg
Power Consumption:	185 watts (With load)
Voltage:	230VAC
Maximum Travel Distance:	1.2m (Other height is possible by motor limit switch)
Total Height (Kept Position):	Min 44.3cm to Max 50.3cm
Total Height (Fully Extended):	Min 176cm to Max 182cm
Mounting Kit:	Come complete with spider projector bracket suitable for all DLP/LCD Projector.
Electronics Control:	Allow interface with third-party control system (Example: AMX, Crestron, etc)

Due to the continuous product improvement, the design and specifications are subject to changes without notice. All other trademarks contained in this brochure are the property of their respective owners. Apr 2007 / Oct 2010