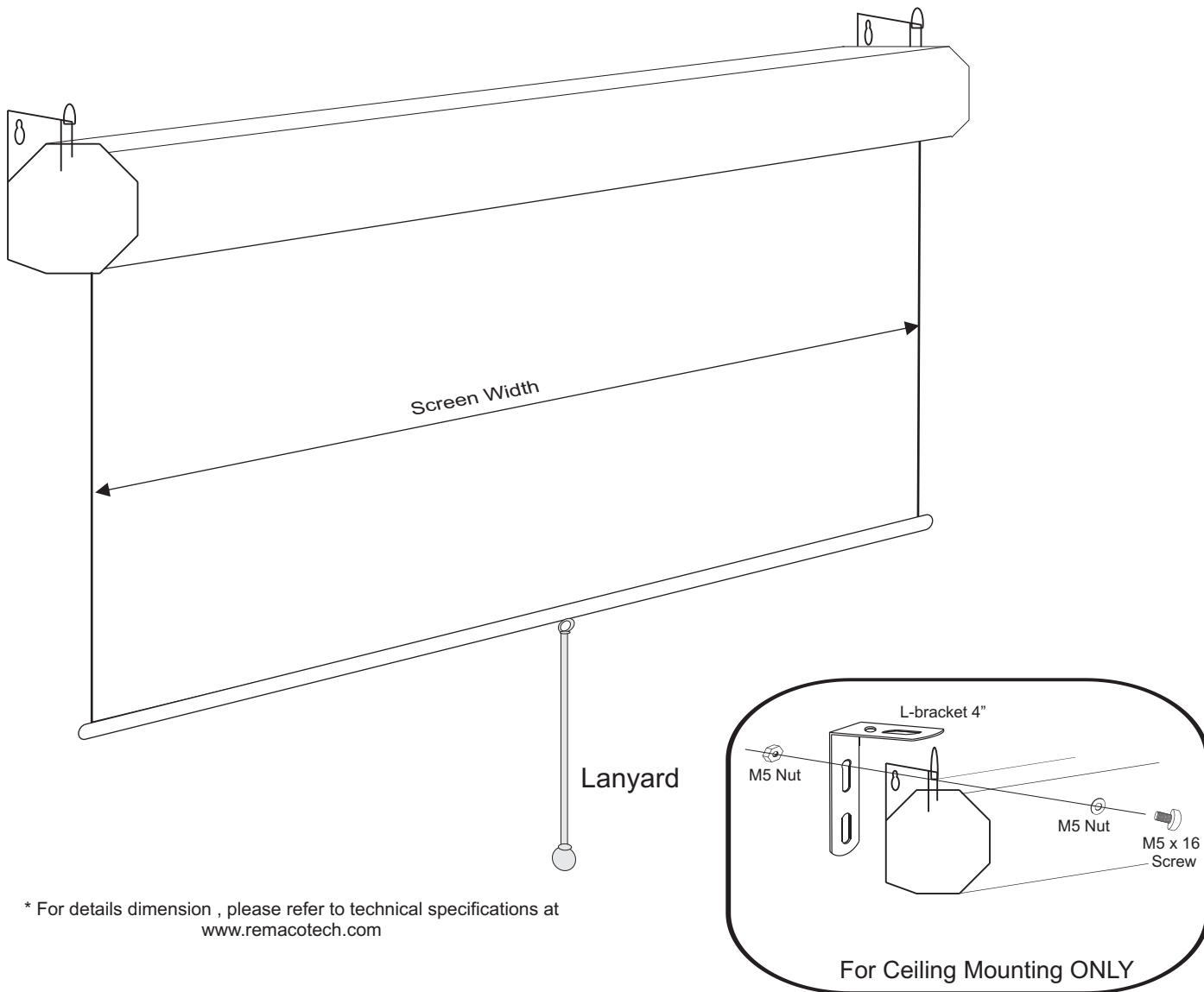


# Installation Guide (For MAS-2121 to MAS-2424)

Bracket can be used for the following installation as shown below.



\* For details dimension , please refer to technical specifications at [www.remacotech.com](http://www.remacotech.com)

## Operation

### To Use:

- ① Pull down the screen with lanyard.
- ② Use hand to set at desired position.

### To Keep:

- ① Pull down screen slightly to release.
- ② Guide the screen up without releasing the lanyard.

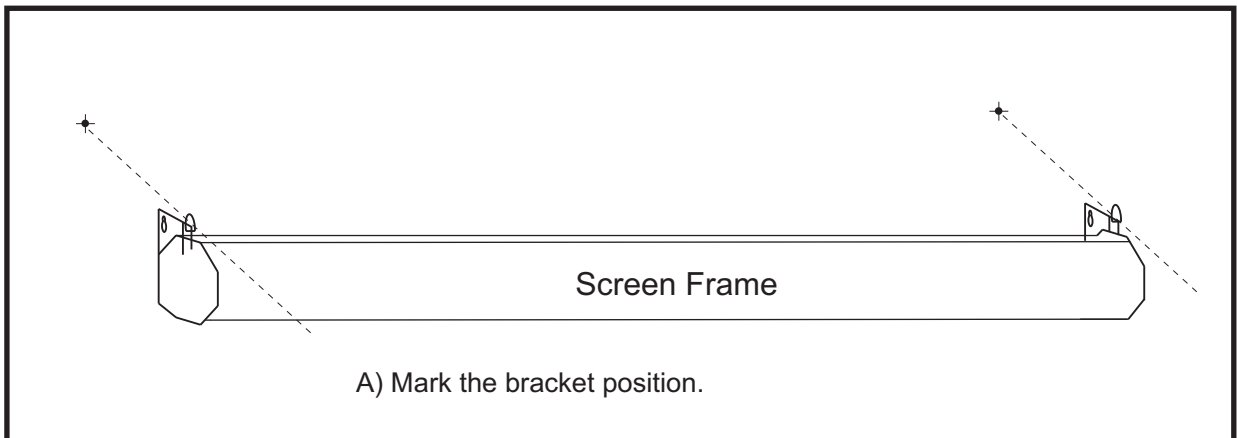
**Important Notes:**

All screens are thoroughly inspected and fully tested operational in factory.

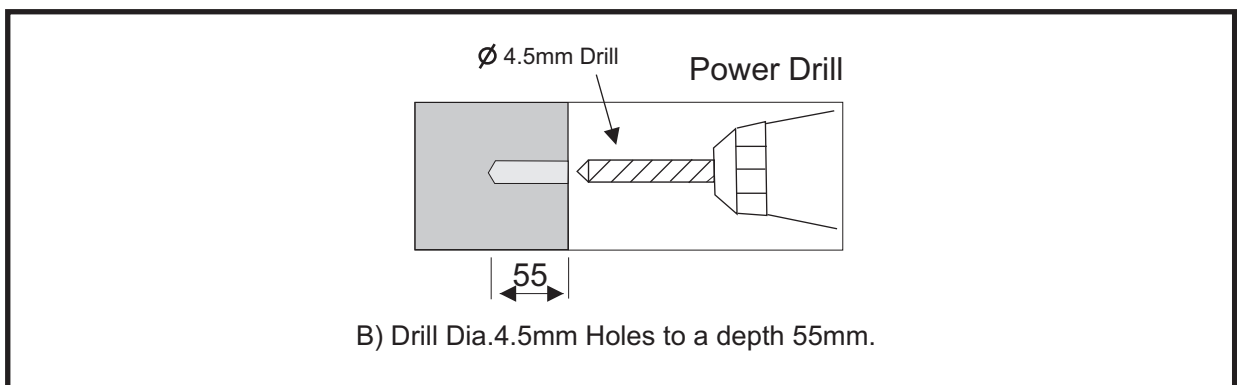
We accept no liability whatsoever for any losses due to improper installation, operation, or any unauthorized alternation at the point of installation.

All trademarks contained in this installation guide are the property of their respective owners.

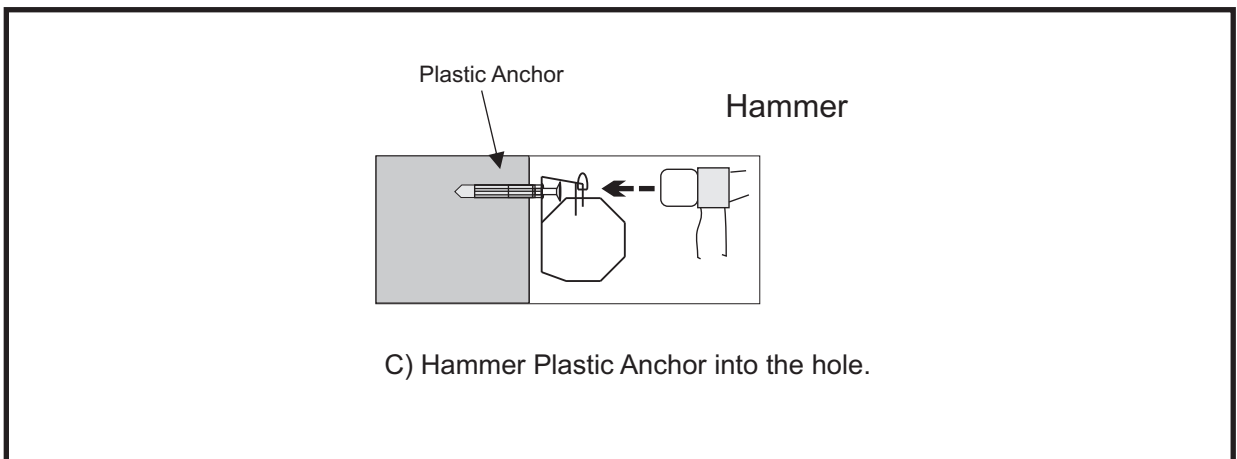
**STEP 1**



**STEP 2**



**STEP 3**



**End**