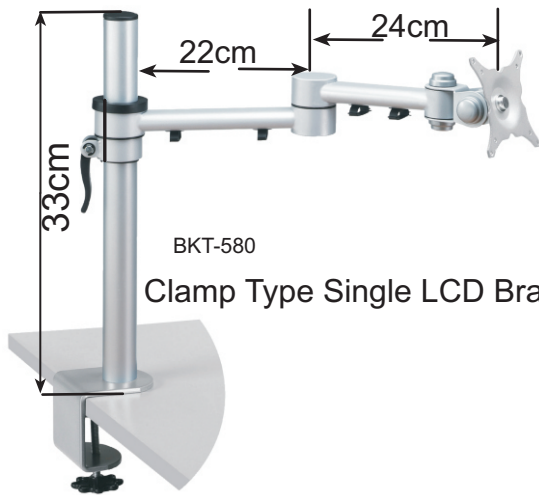
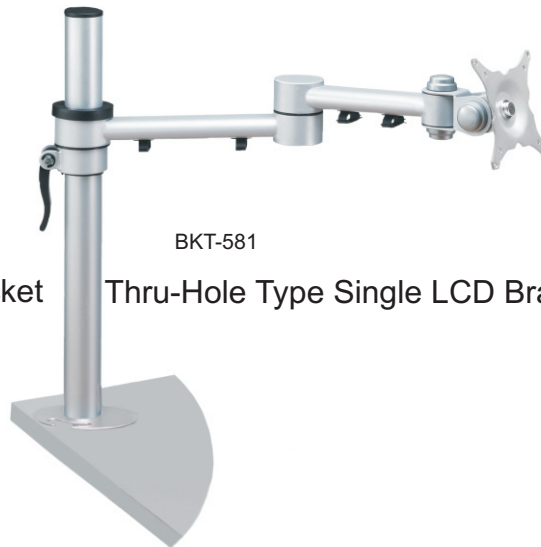


BKT Series...

Remaco BKT-580 and BKT-581 Single LCD Bracket with articulating arm, attached desk clamp and cable management suitable for flat screen monitors. This provides a broad range of motion for viewing displays from multiple angles and heights.

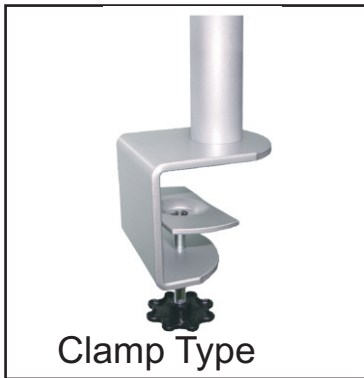


BKT-580
Clamp Type Single LCD Bracket

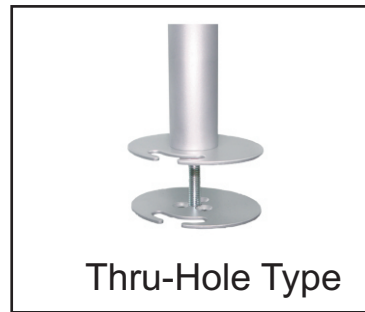


BKT-581
Thru-Hole Type Single LCD Bracket

- Adjustable Tension Locking
- Easy Installation
- Flexible Positioning
- Neat Appearance
- VESA Compliance (Vesa 75mm,100mm)
- Tilt Angle: 180 degrees
Pan Angle: 360 degrees
- Load Capacity:26kgs
- Height Adjustment Rang:33cm
- Recommended LCD Screen sizes 10" to 32" depend on brand/design



Clamp Type



Thru-Hole Type

Remaco BKT-585 and BKT-586 Twin LCD Bracket will maximize your desk space and conveniently secure your LCD monitors. This Twin LCD Bracket can hold up to two LCD monitors with total weight not more than 26kgs.



BKT-585
Clamp Type Twin LCD Bracket



BKT-586
Thru-Hole Type Twin LCD Bracket