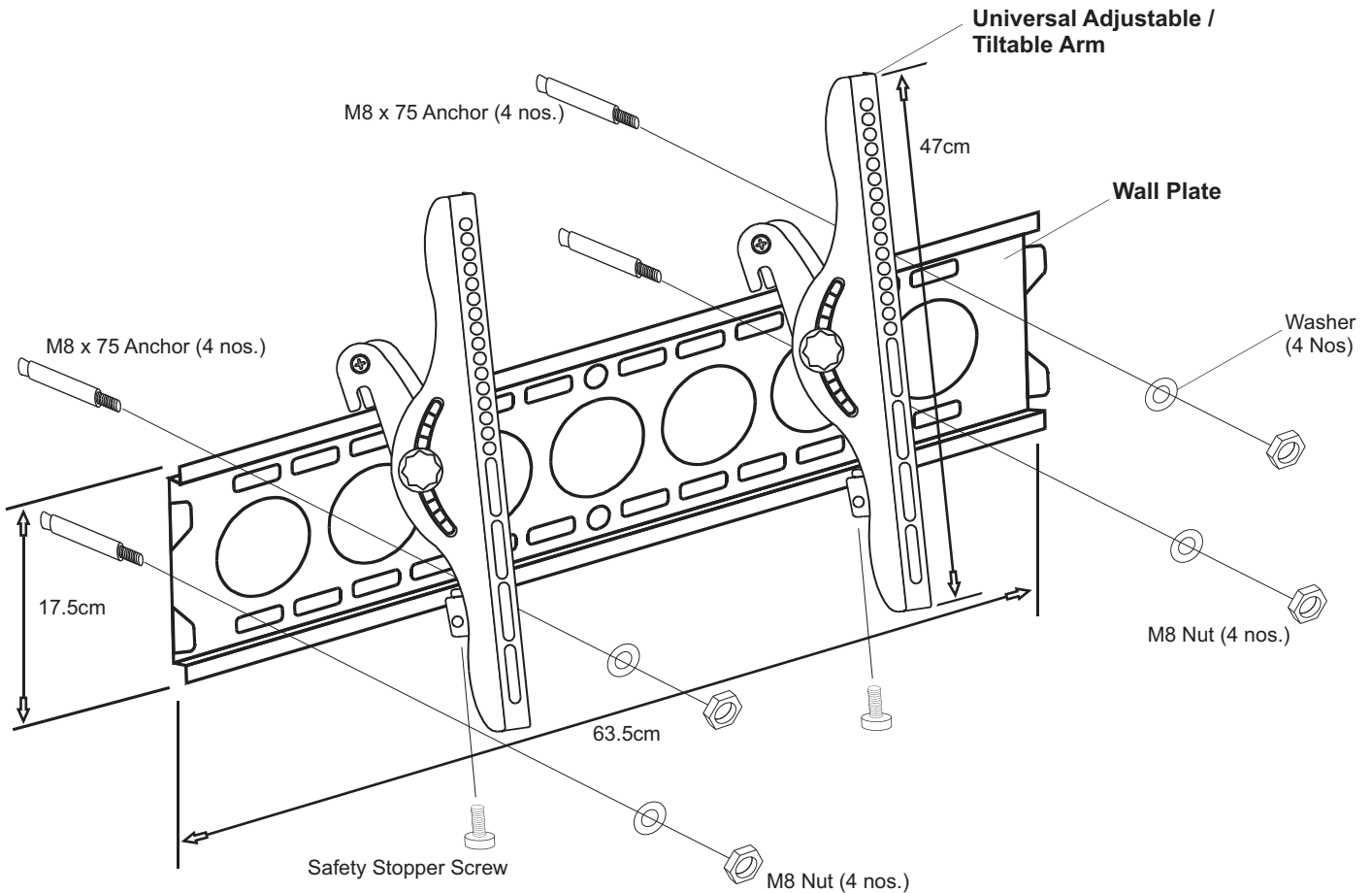


Installation Guide (For BKT-508)

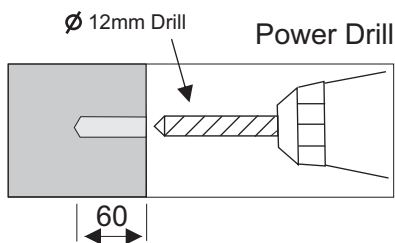
BKT-508

Important Notes:

All Plasma / LCD TV brackets are thoroughly inspected and fully tested operational in factory. We accept no liability whatsoever for any losses due to improper operation, or any unauthorized alternation. All trademarks contained in this installation guide are the property of their respective owners.

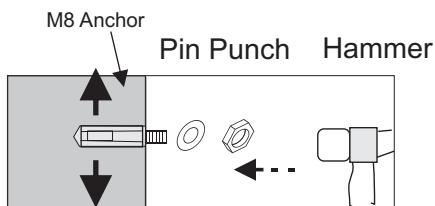


STEP 1



A) Drill Dia 10mm Holes to a depth 35mm. (Note: Do not drill too deep)

STEP 2



B) Insert M8 Anchor into the hole.
C) Screw the washer and nut in after placing the wall plate.

Mounting Screws for mounting universal arm to Plasma / LCD TV:

- M8 x 75 Anchors (4 nos.)
- M8 x 45 Pan Head Screws (4 nos.)
- M6 x 45 Pan Head Screws (4 nos.)
- M6 x 16 Pan Head Screws (4 nos.)
- M5 x 35 Pan Head Screws (4 nos.)
- M5 x 16 Pan Head Screws (4 nos.)
- M4 x 35 Pan Head Screws (4 nos.)
- M4 x 14 Pan Head Screws (4 nos.)
- M8 Nut (4 nos.)
- M8 washer (6 nos.)
- M6 washer (8 nos.)
- M8 Spring washer (4 nos.)
- M6 Spring washer (4 nos.)
- M5 Spring washer (4 nos.)
- M4 Spring washer (4 nos.)

Black plastic spacer between bracket and Plasma / LCD TV

- M10 x 2.5 Spacer (4nos.)
- M7 x 2.5 Spacer (4nos.)
- M6 x 17 Spacer (4nos.)