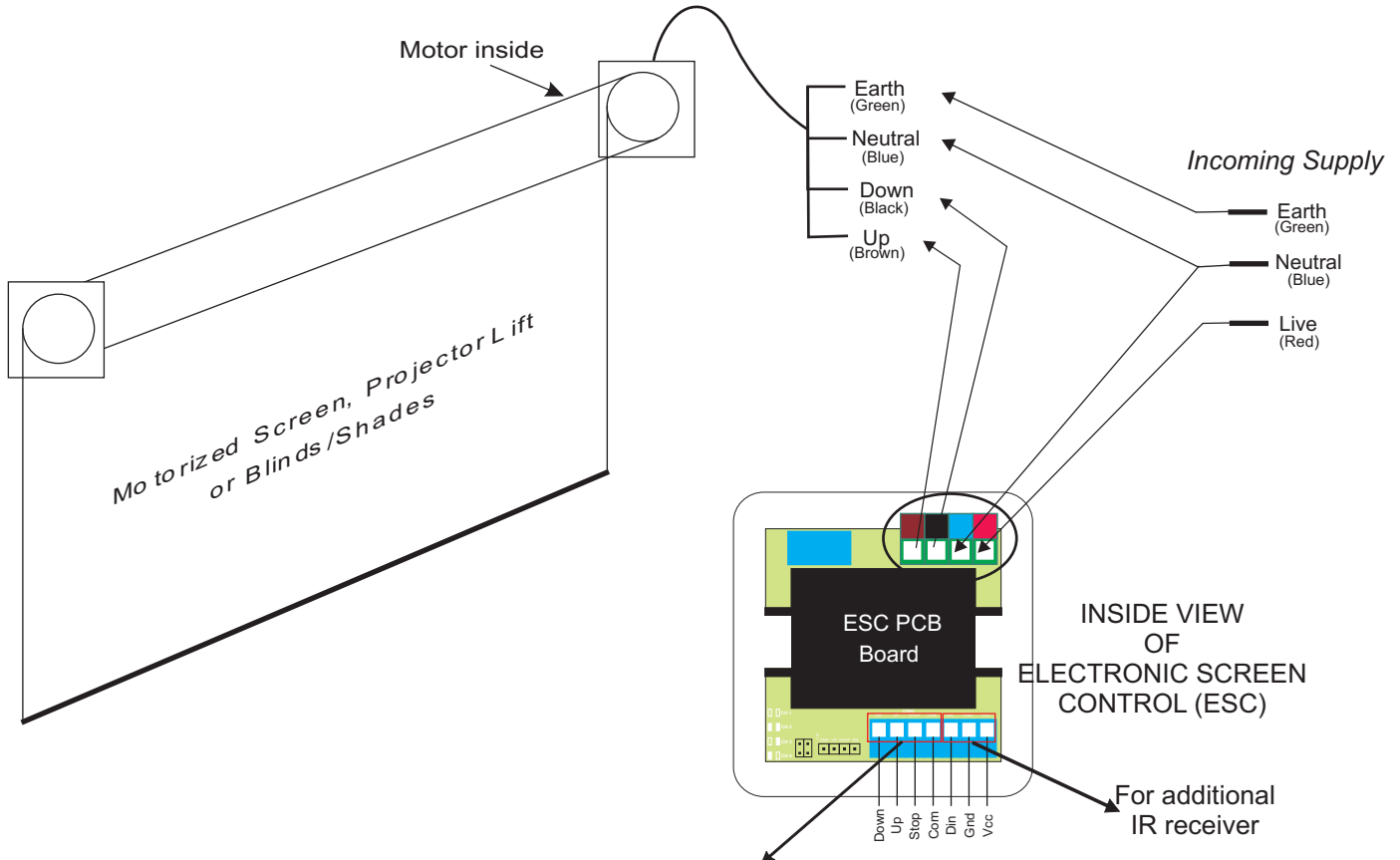


Installation Guide

ESC

Warning

Caution with main supply and live wires. Install with qualified technician or trained personnel.



For direct connection to AMX / Crestron or any Control System. No power / motor controller is required. Voltage signal, above 3Vdc will damage this ESC. It works on momentary contact closure (dry contact, normally open, voltage free) only. Contact closure must set close for 1.5 seconds. **(Warranty void if damaged is caused by inappropriate use.)**



Electronic Screen Control (ESC)

Important Note: After termination, if motor does not move. Reset by switch on and off the incoming supply.