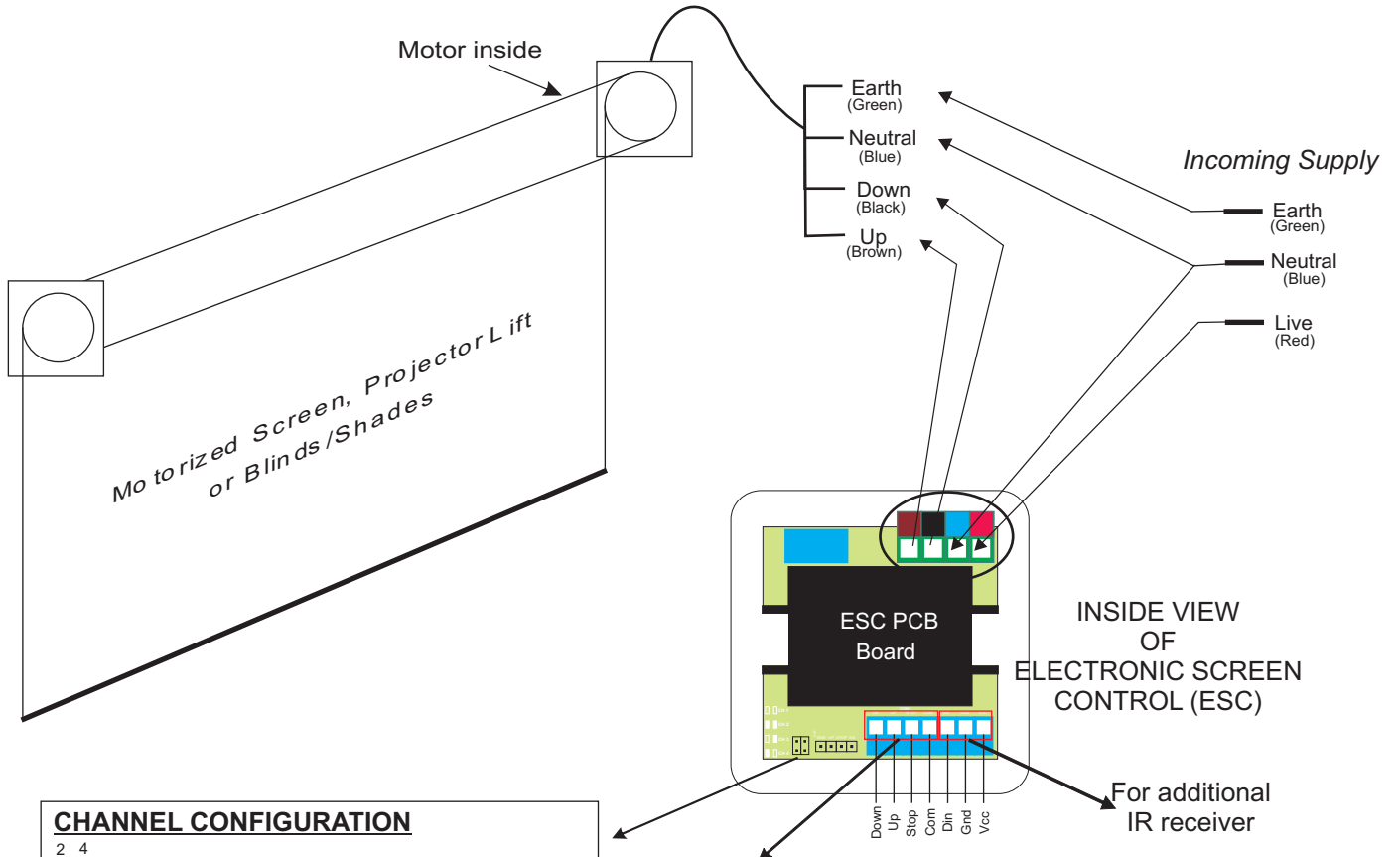


Installation Guide

ESC/IR 4-ch

Warning

Caution with main supply and live wires. Install with qualified technician or trained personnel.



CHANNEL CONFIGURATION	
	CH 1 (Take out both jumpers)
	CH 2 (Insert both jumpers)
	CH 3 (short jumper across 1 & 2)
	CH 4 (short jumper across 3 & 4)

For direct connection to AMX / Crestron or any Control System. No power / motor controller is required. Voltage signal, above 3Vdc will damage this ESC. It works on momentary contact closure (dry contact, normally open, voltage free) only. Contact closure must set close for 1.5 seconds. **(Warranty void if damaged is caused by inappropriate use.)**



Electronic Screen Control (ESC)



4-Channel Infrared Remote Control

Important Note: After termination, if motor does not move. Reset by switch on and off the incoming supply.